

40 A High Power, Pressfit Termination

Pin



- For contact cavity arrangements, see page 52.
- For pcb hole pattern, see page 84.
- For mounting methods, see page 86 – 87.
- For panel cut-outs, see our D Subminiature catalogue.
- For press in tooling see page 90.

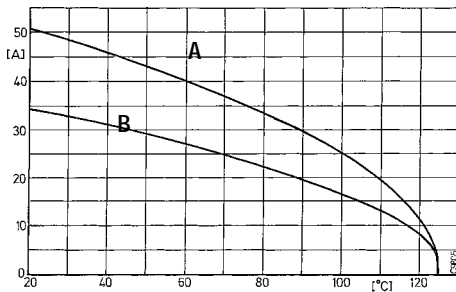
Electrical Data

Insulation resistance
 $\approx 1 \times 10^{10} \text{ W} / 100 \text{ V}$

Contact resistance
 1 mW

Dielectric Withstanding Voltage
 1000 VAC (sea level)

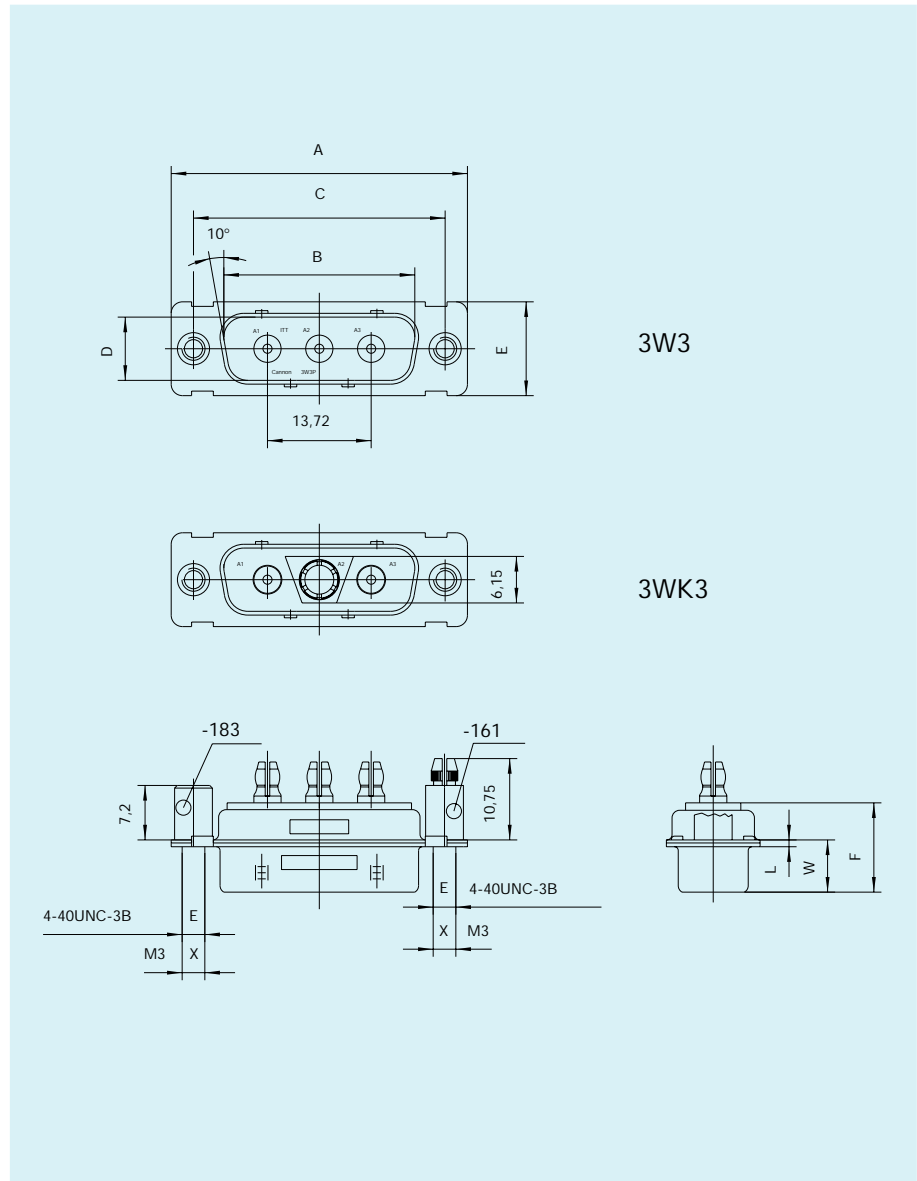
Current Load



A – Multilayer 6 x 35 μm x 4,5 mm
 B – Double layer 2 x 35 μm x 4,5 mm

Part Numbers

Boardlock M3	Boardlock 4-40 UNC	Stand-off M3	Stand-off 4-40
DAMX-3W3P-PO-K87-161	DAME3W3P-PO-K87-161	DAMX-3W3P-PO-K87-183	DAME-3W3P-PO-K87-183
DAMX-3WK3P-PO-K87-161	DAME3WK3P-PO-K87-161	DAMX-3WK3P-PO-K87-183	DAME-3WK3P-PO-K87-183
DBMX-5W5P-PO-K87-161	DBME5W5P-PO-K87-161	DBMX-5W5P-PO-K87-183	DBME-5W5P-PO-K87-183
DCMX-8W8P-PO-K87-161	DCME8W8P-PO-K87-161	DCMX-8W8P-PO-K87-183	DCME-8W8P-PO-K87-183



Dimensions

Shell size	A	B	C	D	E	F	L	W
DA	$\pm 0,38$	$\pm 0,13$	$\pm 0,13$	$\pm 0,13$	$\pm 0,38$	$\pm 0,25$	+ 0,2	$\pm 0,4$
DB	39,15	25,25	33,3	8,35	12,55	10,7	0,8	6,7
DB	53,05	38,95	47,05	8,35	12,55	10,7	0,9	6,8
DC	69,3	55,4	63,5	8,35	12,55	10,7	0,9	6,8